

YOUR WORKING AT HEIGHT PARTNER

S3210P

PUSH-AROUND MINI SCISSOR LIFT



- Outdoor-rated
- Simple to use; easy to maintain
- No stabilizers required
- Durable design for tough site conditions
- Proven benefits over other low level access products



YOUR WORKING AT HEIGHT PARTNER

PUSH-AROUND MINI SCISSOR LIFT

S3210P

DIMENSIONS S3210P*

Max. working height	5.0m
Max. platform height (A)	3.0m
Platform size (outside)	1.1m x 0.52m
Overall width (B)	0.81m
Overall length (C)	1.2m
Stowed height (D)	1.8m

PERFORMANCE

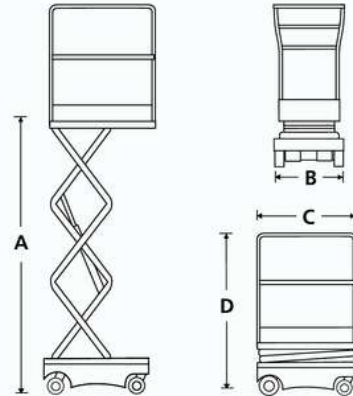
Platform capacity (SWL)	240kg
Max. wind speed	12.5m/s
Raise/lower time	19/26 sec

POWER

Power source	12V DC battery
Battery charger	Built in multi-voltage (90V - 240V)

WEIGHT

Weight	470kg
--------	-------



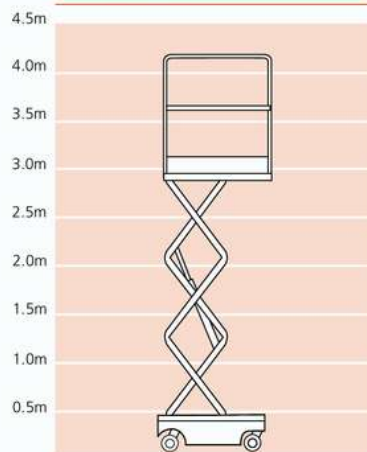
STANDARD FEATURES

- Outdoor-rated
- Auto brake system
- Tilt sensor
- Saloon-door style entry gates
- Integrated battery charger 90V - 240V
- Battery charge indicator
- Forklift pockets
- Emergency lowering system
- Non-marking casters
- Slide-out service trays
- 2 year parts & labour, 5 year structural warranty
- CE approved

OPTIONS

- Special paint colours
- Environmental hydraulic oil

PLATFORM HEIGHT



S3210P

CE Specification
© Snorkel 2020

Specifications subject to change without notice. Photos and diagrams in this brochure are for promotional purposes only. Refer to appropriate Snorkel operators manual for detailed instructions on the proper use and maintenance.
* Preliminary specifications – confirm at time of ordering.

